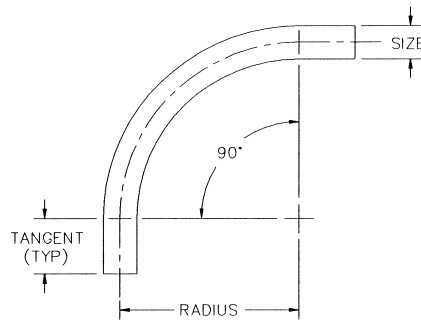
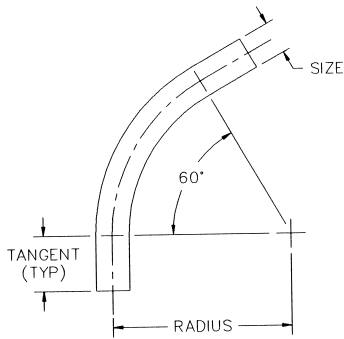
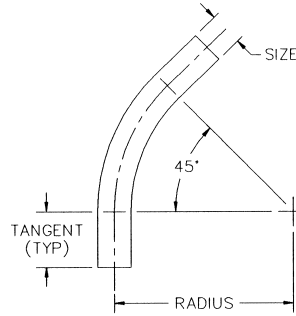
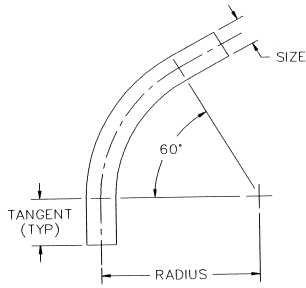


# Long Sweep Elbows

- Aluminum, steel or stainless steel construction.
- Same standard tubing and pipe sizes as furnished in conveying line on page 13.
- Custom sizes available.
- Smooth interior or optional internal treatment such as spiral groove.
- Optional abrasion-resistant styles include ceramic-lined, channel-backed, and replaceable-backed elbows.



NOMINAL SIZE PIPE & TUBING	TANGENT	RADIUS
1½	3"	24"
2	4"	24"
2½	5"	24"
3	6"	36"
3½	7"	36"
4	8"	48"
5	10"	48"
6	12"	60"
8	16"	72"